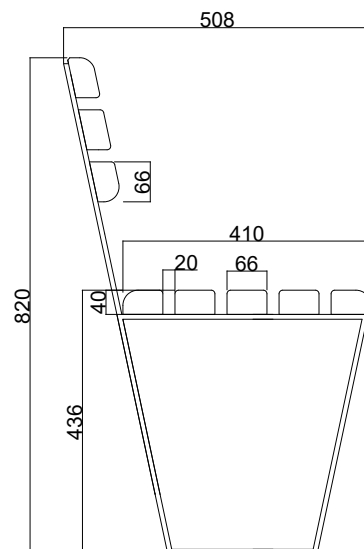




## **GISCHBERG – THE FREEFORM CURVED BENCH**

### **TECHNICAL SPECIFICATIONS**

Depth	508 mm
Height	820 mm
Seat height	436 mm
Seat depth	410 mm
Cross-section slats	66 mm
Length and shape	as requested
Minimum inner radius	Larch: 1,400 mm Oak/ash: 700 mm
Brackets	Steel, hot-dip galvanized
Wood species	Larch, oak, ash Origin Switzerland



**SCHWEIZER  
HOLZ**

Lignum-60-0034

LEARN MORE ABOUT  
THIS ROUND BENCH  
ON OUR WEBSITE:

